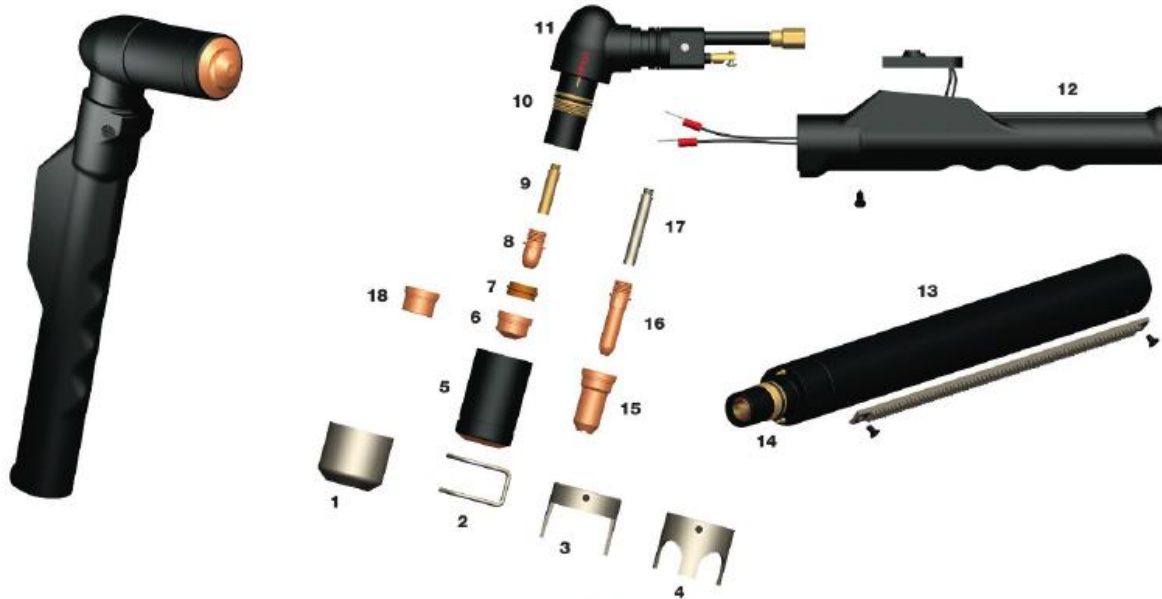


## Cebora® Plasma Torch Packages

# PROF 90/120/150/160

Rating: 150A @ 60% Duty Cycle, EN60974-7



### Technical Data

Voltage Class	M
Standard Length	6mt
Air Consumption	220 l/min
Air Pressure	5 Bar
Duty Cycle 60%	150A
Start Method	HF Ignition - Pilot Arc

### Torch Model

Stock Code	Description
C1571	Plasma Hand Torch Package x 6mt 1/8" BSP
C1576	Plasma Hand Torch Package x 6mt c/w Central Connection

### Consumables

Stock Code	Description
1 C1406	Gouging Spacer
2 C1386	Stand Off Spring
3 C1408	Double Pointed Spacer
4 C1409	Crown Spacer
5 C1389	Nozzle Retaining Cap
6 C1371	Cutting Tip 1.1mm - 20-50A
C1372	Cutting Tip 1.3mm - 40-90A
C1373	Cutting Tip 1.6mm - 80-120A
C1374	Cutting Tip 1.8mm - 110-150A
C1375	Gouging Tip 3.0mm
7 C1377	Swirl Ring Vespel
8 C1376	Electrode Hafnium
9 C1378	Diffuser
10 C1398	O Ring - Torch Head
11 C1353	Torch Head c/w C1378 Diffuser
12 C910	Handle c/w Switch
13 C3055623	Handle - Machine Torch
14 C1354	Torch Head - Machine
15 C1369	Long Cutting Tip
16 C1517	Long electrode Hafnium
17 C1018	Long diffuser for C1517
18 C1390	Flat cutting tip 1.3mm - 40-90A
C1391	Flat cutting tip 1.6mm - 80-120A
C1392	Flat cutting tip 1.8mm - 110-150A